

STEPS & "L" LINER ORDER FORM

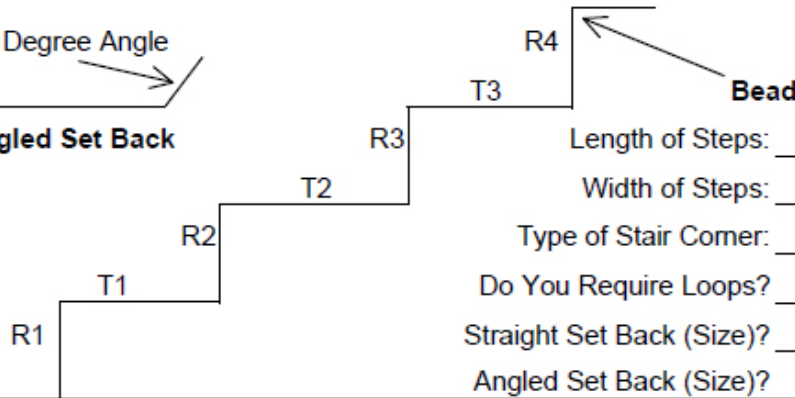
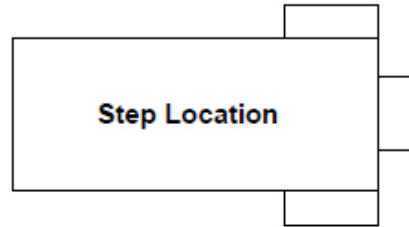
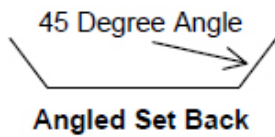
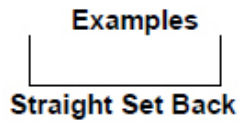
Dealer Name: _____

Job Name: _____

Dealer P.O. #: _____

Date: _____

P.O.# _____



Length of Steps: _____

Width of Steps: _____

Type of Stair Corner: _____

Do You Require Loops? _____

Straight Set Back (Size)? _____

Angled Set Back (Size)? _____

Risers R1 _____

R2 _____

R3 _____

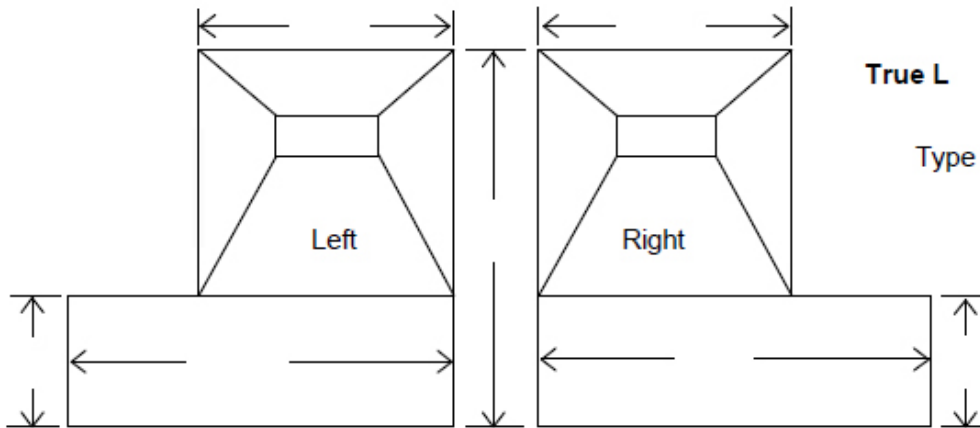
R4 _____

Treads T1 _____

T2 _____

T3 _____

STANDING AT SHALLOW LOOKING TOWARDS DEEP END



STANDING AT SHALLOW LOOKING TOWARDS DEEP END

